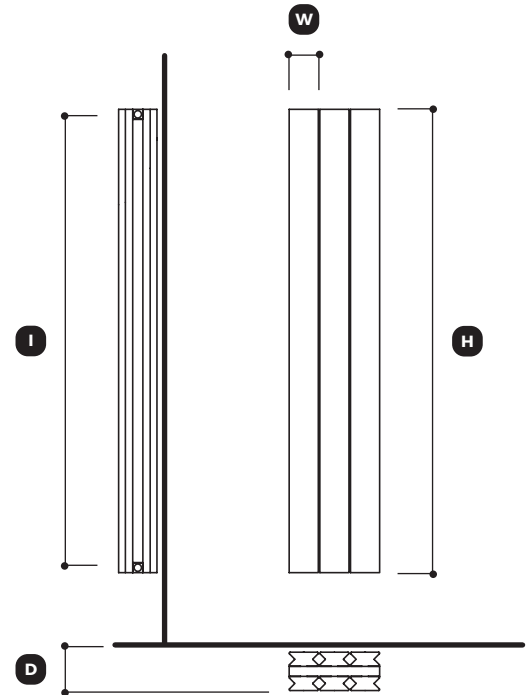


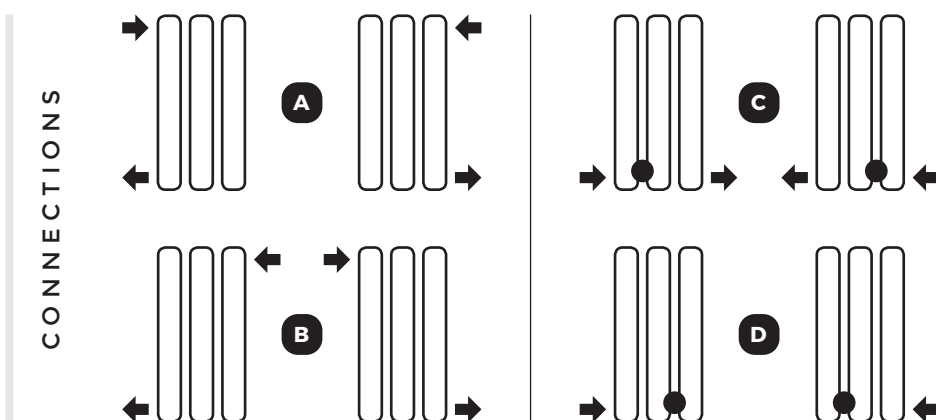
PLISSET

Maximum thermal efficiency.



I	H	ELEMENTS MIN-MAX (mm)	W	D	ELEMENT WEIGHT (kg)	ELEMENT WATER CONTENT (lt)	THERMAL OUPUT (w)	
CENTER DISTANCE (mm)	HEIGHT (mm)		ELEMENT WIDTH (mm)	DEPTH (mm)			Δt 30°	Δt 50°
600	626	3-10	79	100	1,13	0,33	183 (3)*	351
							244 (4)	468
							366 (6)	702
							488 (8)	936
							610 (10)	1170
800	826	3-10	79	100	3	0,33	231 (3)	450
							308 (4)	600
							462 (6)	900
							616 (8)	1200
							770 (10)	1500
1800	1826	3-10	79	100	3	0,33	456 (3)	897
							608 (4)	1196
							912 (6)	1794
							1216 (8)	2392
							1520 (10)	2990

*(Number of elements)



SCAN TO SAVE PDF

