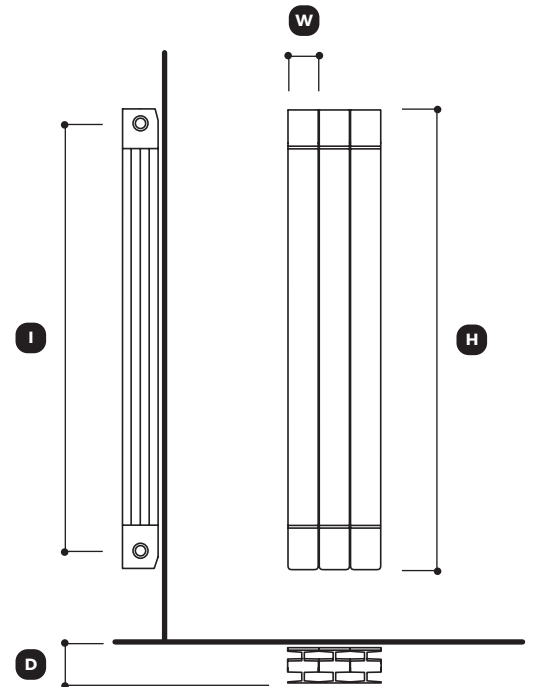
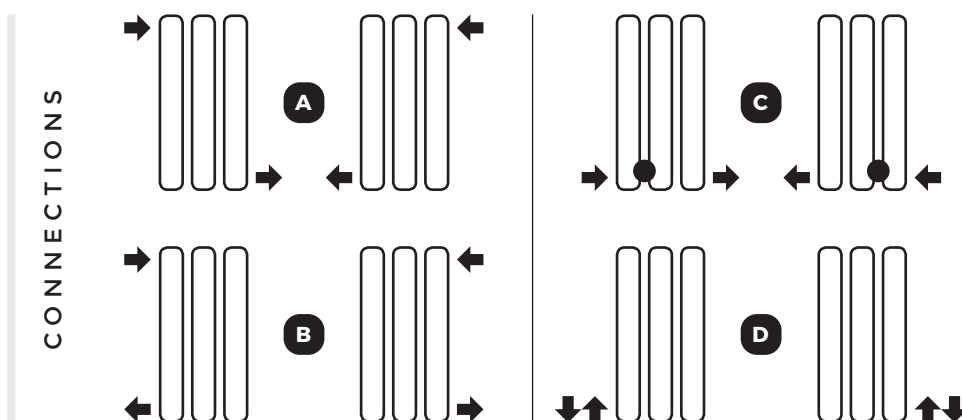


KALIS

One style for the entire home.



I CENTER DISTANCE (mm)	H HEIGHT (mm)	ELEMENTS MIN-MAX (mm)	W ELEMENT WIDTH (mm)	D DEPTH (mm)	ELEMENT WEIGHT (kg)	ELEMENT WATER CONTENT (lt)	THERMAL OUPUT (w)	
							Δt 30°	Δt 50°
900	970	2-6	80	100	1,85	0,37	86	170
1000	1070				2,00	0,38	94	185
1200	1270				2,30	0,40	106	212
1400	1470				2,60	0,50	119	237
1600	1670				2,90	0,60	132	262
1800	1870				3,20	0,65	143	285
2000	2070				3,50	0,70	154	308



SCAN TO SAVE PDF

