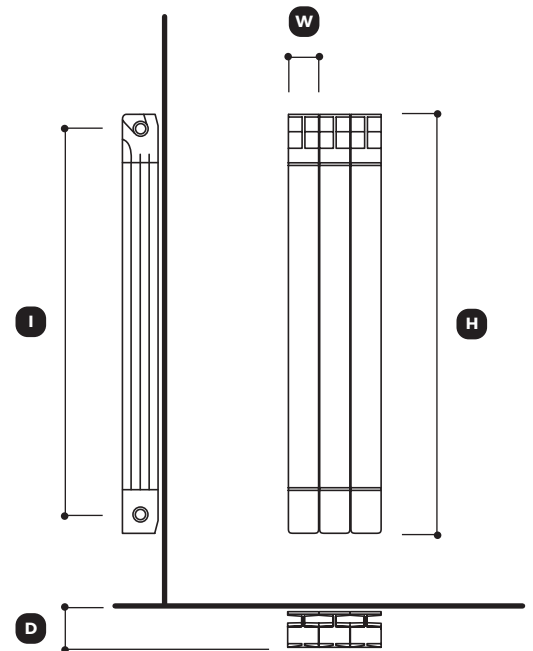
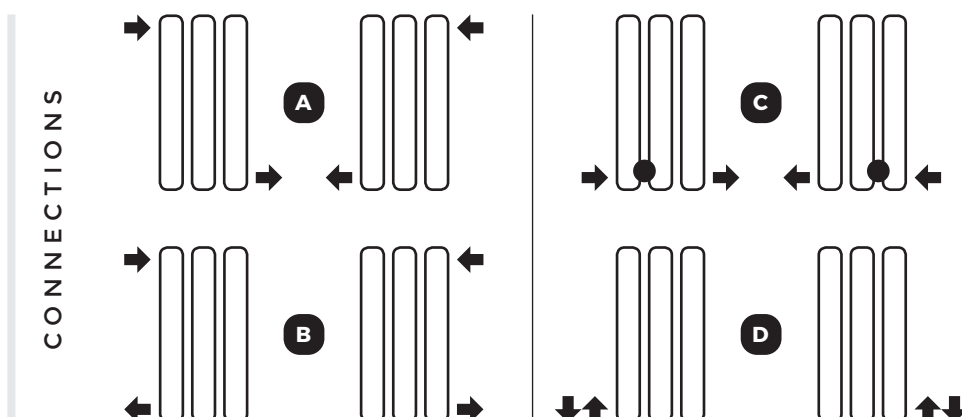


KALDUS

The heat you desire wherever you want.



| I | H | ELEMENTS MIN-MAX (mm) | W | D | ELEMENT WEIGHT (kg) | ELEMENT WATER CONTENT (lt) | THERMAL OUPUT (w) | |
|----------------------------|----------------|-----------------------------|----|-----|---------------------------|----------------------------------|---------------------|---------------------|
| CENTER DISTANCE (mm) | HEIGHT (mm) | | | | | | $\Delta t 30^\circ$ | $\Delta t 50^\circ$ |
| 900 | 970 | 2-6 | 80 | 100 | 1,87 | 0,38 | 87 | 170 |
| 1000 | 1070 | | | | 2,04 | 0,40 | 92 | 185 |
| 1200 | 1270 | | | | 2,30 | 0,45 | 109 | 214 |
| 1400 | 1470 | | | | 2,60 | 0,50 | 120 | 239 |
| 1600 | 1670 | | | | 2,90 | 0,60 | 132 | 263 |
| 1800 | 1870 | | | | 3,20 | 0,65 | 143 | 286 |
| 2000 | 2070 | | | | 3,50 | 0,70 | 155 | 309 |



SCAN TO SAVE PDF

