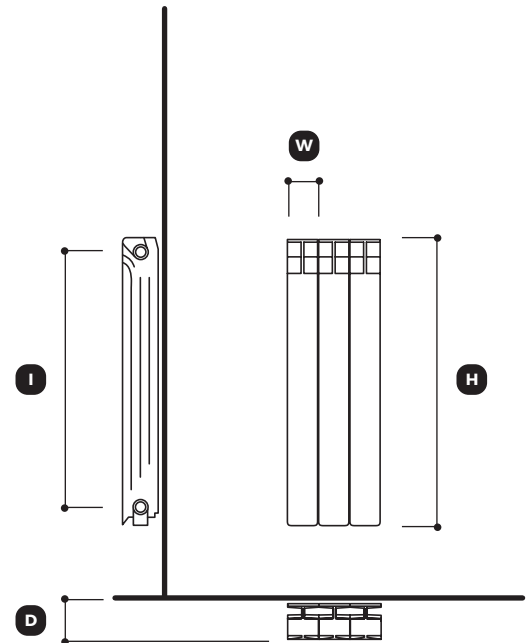
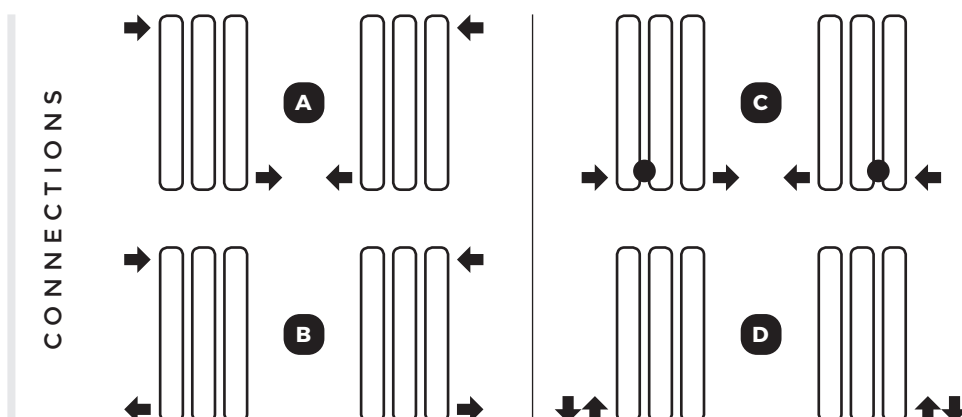


KALDO

The heat you desire wherever you want.



I	H	ELEMENTS MIN-MAX (mm)	W	D	ELEMENT WEIGHT (kg)	ELEMENT WATER CONTENT (lt)	THERMAL OUPUT (w)	
CENTER DISTANCE (mm)	HEIGHT (mm)						Δt 30°	Δt 50°
350	431	3-14	80	95	1,17	0,32	46	88
500	581				1,42	0,46	61	119
600	681				1,66	0,52	70	138
700	781				1,81	0,62	79	154
800	881				2,04	0,68	87	172



SCAN TO SAVE PDF

