

# HELYOS EVO

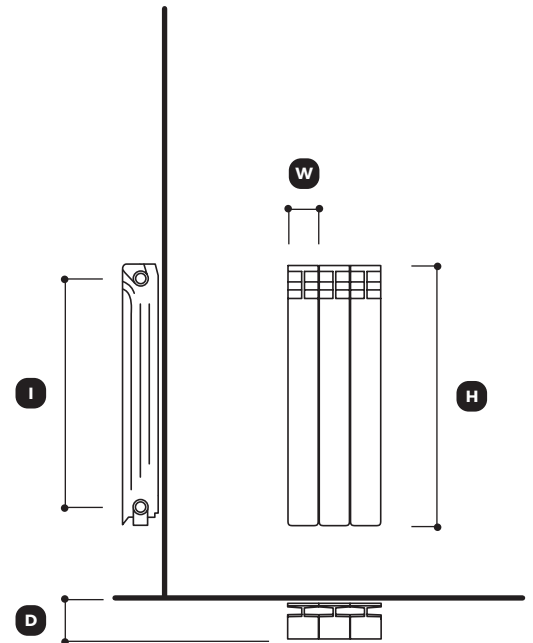
The radiator that made our history.



AL

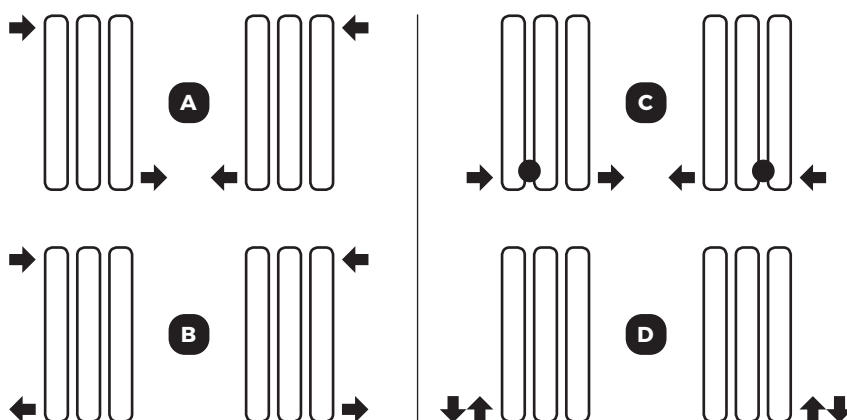


20 BAR



I CENTER DISTANCE (mm)	H HEIGHT (mm)	ELEMENTS MIN-MAX (mm)	W ELEMENT WIDTH (mm)	D DEPTH (mm)	ELEMENT WEIGHT (kg)	ELEMENT WATER CONTENT (lt)	THERMAL OUPUT (w)	
							$\Delta t$ 30°	$\Delta t$ 50°
350	428	3-14	80	95	1,08	0,26	46	89
500	578				1,37	0,33	64	121
600	678				1,52	0,37	69	133
700	778				1,80	0,40	76	148
800	878				2,03	0,43	84	165

CONNECTIONS



SCAN TO SAVE PDF

